

SHADOWLINE QUAD50

Detail Tilt & Rotate

ORLUNA®

Project Reference: _____

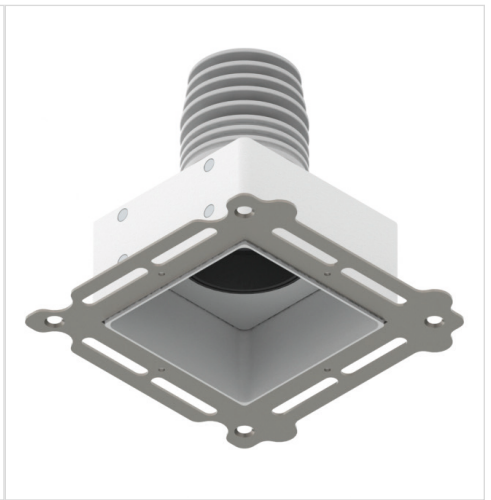
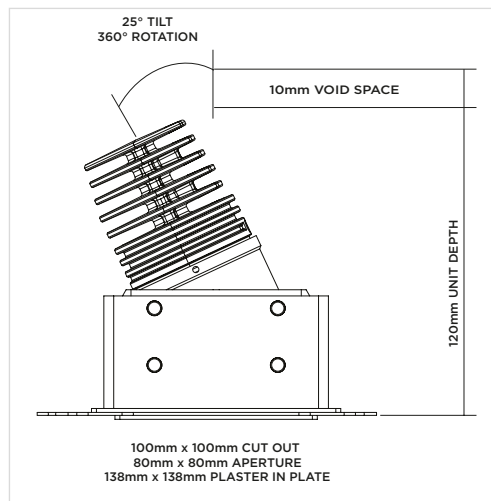
Product Reference: _____

Luminaire Details

Fitting Type	Adjustable Downlight
IP Rating	IP54
Warranty	5 Years
Class	III
IP Zone	Zone 1
Standards	CE, BS EN 60598
Material	Aluminium ADC12
Cable type	2 Core 0.75mm ²
Cable Length	300mm
Bezel Temp	F Rated

Features & Benefits

- Height-adjustable
- Magnetically-retained plaster-in
- 85CRI
- Double black baffle for low glare
- Change accessories from the front



LIGHT VALUES	2700K QUAD50			2938K QUAD50		
	MEDIUM	WIDE	FLOOD	MEDIUM	WIDE	FLOOD
Beam Width FWHM	20°	30°	46°	20°	30°	46°
Initial Lumens*	812	812	812	887	887	887
Engine Lumens*	658	706	719	713	775	785
<small>*(Tc 85°C, +/-7%)</small>						
Engine Lm/W	63	68	69	69	75	75
Luminaire Cd	1922	1079	617	1791	1045	653
Binning SDCM (Hot)	2			2		
DUV	0.001			0.001		
CRI (typ)(R9)	82 (8)			82 (8)		
TM30 Rf Rg	Rf 83 Rg 95			Rf 83 Rg 95		
Lifetime (ambient)	L90 B5 50,000hrs			L90 B5 50,000hrs		

For full test data, see Luminaire Photometric Reports at orluna.com/downloads

LUMINAIRE POWER

Voltage	11.2V (11.8V) 12.8V	11.2V (11.8V) 12.8V
Drive Current	700mA	700mA
Circuit Power (typ)	10.4	10.4

DRIVER

Protocols	Mains Dim / DALI / 0-10V / Non-dim
Dim to Dark	0.1% Lux
Distance from product	20m (series wiring)
Emergency	Emergency packs available

Specification Code

Engine type	Bezel	Colour Temp	Driver	Beam Width	Bezel Colour	Baffle Colour	Options
5	-SDR-	27	M	20	-W-	BB	F 54 E
		27 / 2700K 29 / 2938K	M / Mains Dim D / DALI O / 0-10v N / Non Dim X / No Driver	20 / Medium 30 / Wide 46 / Flood	W / White RAL 9010 D / White RAL 9003 E / White RAL 9016 B / Black RAL 9005 C / Other RAL	BB / Black WB / White RAL 9010 GB / Gold CB / Other RAL	F / Fire Rated L / Low Profile 54 / IP54 T / Lockable Tilt & Rotate E / 3hr Emergency H / Honeycomb N / Frosted Lens Z / LSZH Cable