

# SHADOWLINE WARM DIM

# ORLUNA®

## Detail Tilt & Rotate

Project Reference: \_\_\_\_\_

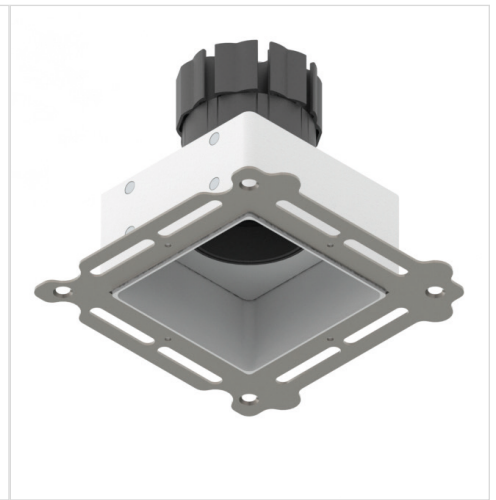
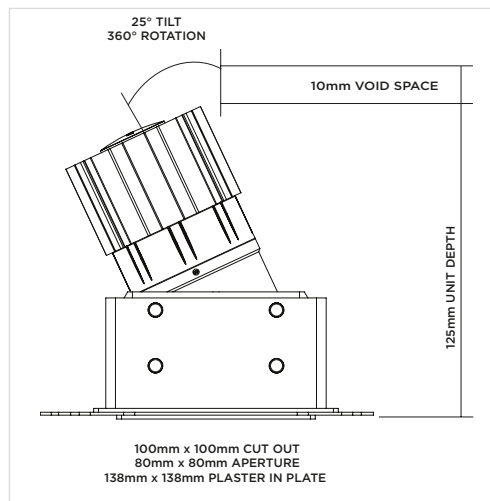
Product Reference: \_\_\_\_\_

### Luminaire Details

Fitting Type	Adjustable Downlight
IP Rating	IP54
Warranty	5 Years
Class	III
IP Zone	Zone 1
Standards	CE, BS EN 60598
Material	Aluminium ADC12
Cable type	2 Core 0.75mm <sup>2</sup>
Cable Length	300mm
Bezel Temp	F Rated

### Features & Benefits

- Halogen-style Warm Dimming
- TRUE BEAM
- Low glare
- Double black baffle to the front
- Magnetically-retained plaster-in
- Change accessories from the front



### 1800K - 2650K WARM DIM

LIGHT VALUES	MEDIUM	WIDE	FLOOD
Beam Width FWHM	28°	38°	45°
Initial Lumens*	901	901	901
Engine Lumens*	770	748	734
*(Tc 85°C, +/-7%)			
Engine Lm/W	63	61	60
Luminaire Cd	1414	912	773
Binning SDCM (Hot)	3		
DUV	0.001		
CRI (typ)(R9)	94 (73)		
TM30 Rf Rg	Rf 92 Rg 101		
Lifetime (ambient)	L70 B5 50,000hrs		

For full test data, see Luminaire Photometric Reports at [orluna.com/downloads](http://orluna.com/downloads)

### LUMINAIRE POWER

Voltage	36v
Drive Current	300mA
Circuit Power (typ)	12.2W

### DRIVER

Protocols	Mains Dim / DALI / 0-10V / Non-dim
Dim to Dark	0.1% Lux
Distance from product	20m (series wiring)
Emergency	Emergency packs available

### Specification Code

Engine type	Bezel	Colour Temp	Driver	Beam Width	Bezel Colour	Baffle Colour	Options
<b>WD</b>	<b>SDR</b>	<b>WD</b>	<b>M</b>	<b>M</b>	<b>W</b>	<b>BB</b>	<b>F 54 E</b>
			M / Mains Dim D / DALI O / 0-10v X / No Driver	M / Medium W / Wide F / Flood	W / White RAL 9010 D / White RAL 9003 E / White RAL 9016 B / Black RAL 9005 C / Other RAL	BB / Black WB / White RAL 9010 GB / Gold CB / Other RAL	F / Fire Rated 54 / IP54 T / Lockable Tilt & Rotate E / 3hr Emergency H / Honeycomb S / Spreader Lens N / Frosted Lens Z / LSZH Cable