

ROC 100

Fixed

ORLUNA®

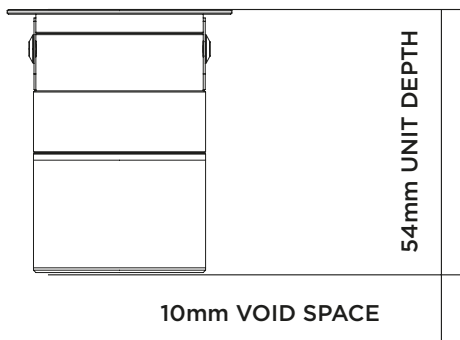
Project Reference: _____

Product Reference: _____

Luminaire Details

Fitting Type	Fixed Uplight
IP Rating	IP54 / IP67
Warranty	5 Years
Class	III
IP Zone	Zone 1
Standards	CE, BS EN 60598
Material	Aluminium ADC12
Cable type	2 Core 0.75mm ²
Cable Length	300mm (IP67 10m)
Bezel Temp	F Rated

ø40mm CUT OUT
ø47mm BEZEL



Features & Benefits

- 90CRI
- Ultra-low glare baffle to the front
- Miniature luminaire
- Suitable as an Uplight or Downlight
- Supplied with install tube as standard

LIGHT VALUES	2700K 100 90CRI			3000K 100 90CRI		
	NARROW	MEDIUM	WIDE	NARROW	MEDIUM	WIDE
Beam Width FWHM	12°	26°	45°	12°	26°	45°
Initial Lumens*	189	189	189	228	228	228
Engine Lumens*	175	177	176	211	190	201
<small>*(Tc 85°C, +/-7%)</small>						
Engine Lm/W	67	68	68	81	73	77
Luminaire Cd	912	521	258	1487	651	281
Binning SDCM (Hot)	2			2		
DUV	0.001			0.001		
CRI (typ)(R9)	92 (59)			92 (59)		
TM30 Rf Rg	Rf 91 Rg 99			Rf 91 Rg 99		
Lifetime (ambient)	L90 B5 50,000hrs			L90 B5 50,000hrs		
<i>For full test data, see Luminaire Photometric Reports at orluna.com/downloads</i>						
LUMINAIRE POWER	3v			3v		
Voltage	700mA			700mA		
Drive Current	2.6W			2.6W		
Circuit Power (typ)	DRIVER					
Protocols	Mains Dim / DALI / 0-10V / Non-dim					
Dim to Dark	0.1% Lux					
Distance from product	20m (series wiring)					
Emergency	Emergency packs available					

LUMINAIRES PER DRIVER	
Mains Dimmable	
Minimum	3
Maximum	5
Driver	OTe10
Mains Dimmable	
Minimum	6
Maximum	12
Driver	OTe25
DALI or 0-10V Dimmable-2 210mm Length	
Minimum	1
Maximum	16
Driver	SOLOdrive 36X/A
DALI or 0-10V Dimmable-1 160mm Length	
Minimum	4
Maximum	13
Driver	SOLOdrive 24X/A
Non-dimmable	
Minimum	2
Maximum	5
Driver	DLC110/700

Specification Code

Engine type	Bezel	Colour Temp	Driver	Beam Width	Bezel Colour	Baffle Colour	IP Rating
100-ROC-	27	27	X	N	SS	BB	54 E
		27 / 2700K 30 / 3000K	X / No Driver (Driver must be ordered separately)	N / Narrow M / Medium W / Wide	SS / Stainless Steel W / White RAL 9010 D / White RAL 9003 E / White RAL 9016 B / Black RAL 9005 F / Antique Brass G / Polished Brass J / Antique Bronze K / Brushed Chrome L / Polished Chrome H / Antique Copper I / Polished Copper C / Other RAL	BB / Black WB / White RAL 9010 GB / Gold CB / Other RAL	54 / IP54 67 / IP67 E / 3hr Emergency J / Jigsaw G / Anti-Glare Shield Z / LSZH Cable

ORLUNA LED Technologies
Unit C, Holly Industrial Park,
Ryan Way, Watford
Herts WD24 4YP

info@orluna.com

+44 (0) 1923 889 712

11/09/17