

300mA NON-DIMMABLE ORLUNA

Code: DRIVER-N-300

ORLUNA®

Driver Details

Input Voltage	220 - 240V AC
Control Type	Switched
Output current	300mA
Output Voltage	17 - 40V DC
Output Power	5.1 - 12W
Maximum Power	12W
Typical Efficiency	>87%
Power Factor	>0.9
Inrush Current	10Ip/A

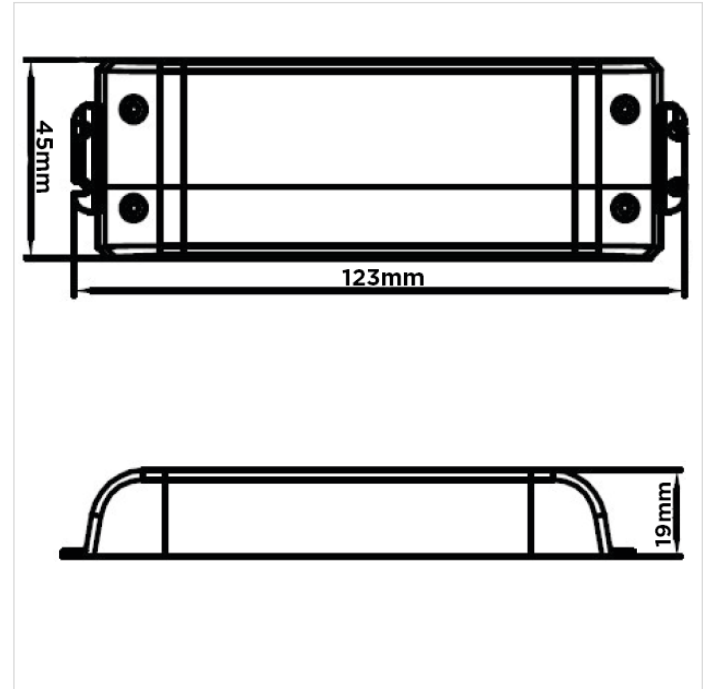


Environment

Ambient Temperature	-15°C to +45°C
Lifetime	30,000hrs
IP Zone	IP20

Wiring

- Wire + (SEC) to red luminaire cable
- Wire - (SEC) to black luminaire cable
- Wire L-N (PRI) to mains live and neutral cable
- Maximum 20m from driver to luminaire



06/11/17