

# DINO ORIGIN

## Tilt & Rotate

# ORLUNA®

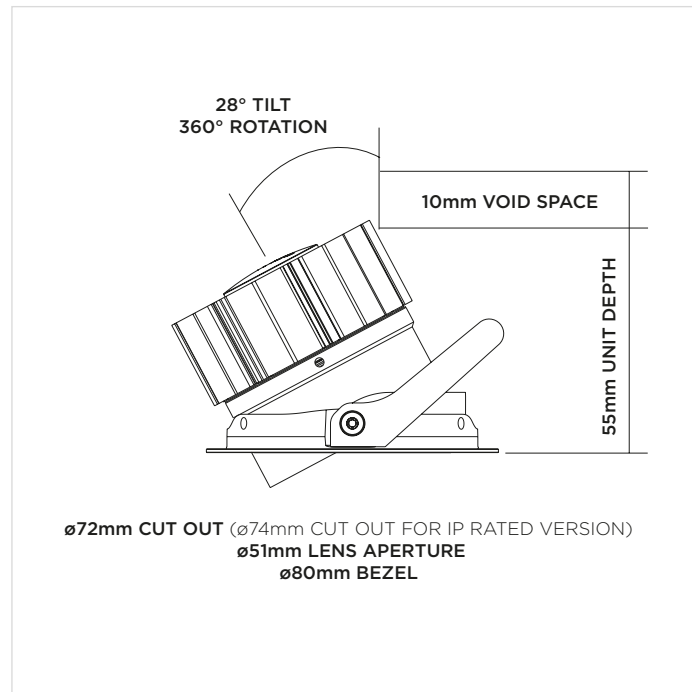
### Luminaire Details

Cut-out	Ø72mm
Recess Depth	85mm
Clearance	Ø250mm
Fixing Method	Tick Springs
Min Ceiling Thickness	5mm
Max Ceiling Thickness	28mm
Max Driver Distance	20m
Class	III
IP Rating	IP54
IP Zone	Zone 1
Material	Aluminium ADC12
Cable type	2 Core 0.75mm <sup>2</sup>
Cable Length	300mm
Bezel Temp	F Rated



### How to Install

- Cut hole in ceiling as per above cut-out;
- Wire luminaire cable to OrLuna certified driver, ensuring correct polarity (red to positive terminal [+] and black to negative terminal [-]);
- With mains supply switched off, connect driver to mains supply (to avoid damaging the luminaire, do not hot-wire);
- Feed luminaire into cut-out, ensuring Ø250mm around luminaire and driver is left clear of insulation.



10/11/17

**ORLUNA<sup>®</sup>**

Installation Instructions