

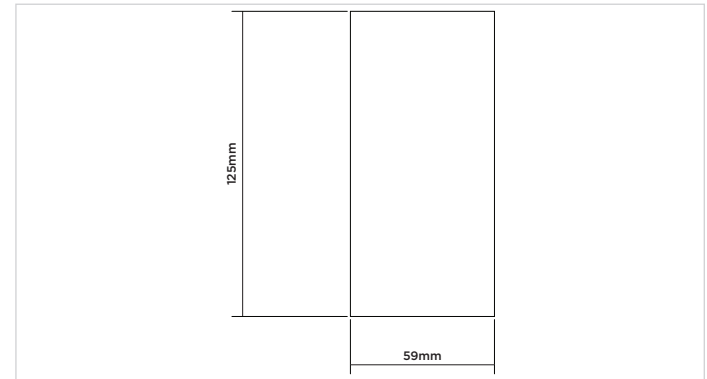
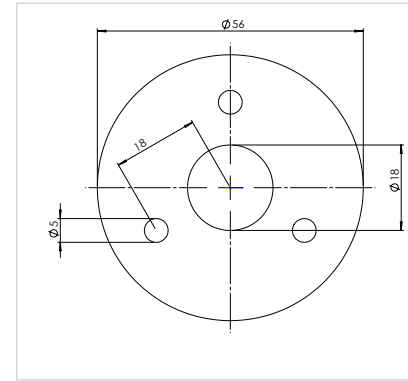
# AIR FIXED ORIGIN HIGH OUTPUT

## Fixed

# ORLUNA®

### Luminaire Details

Cut-out	Ø18mm
Recess Depth	30mm
Clearance	Remote Driver
Fixing Method	3x Screw Hole
Max Ceiling Thickness	N/A
Min Ceiling Thickness	N/A
Max Driver Distance	20m
Class	III
IP Rating	IP54
IP Zone	Zone 1
Material	Aluminium ADC12
Cable type	2 Core 0.75mm <sup>2</sup>
Cable Length	300mm
Bezel Temp	F Rated



### How to Install

- Cut hole in ceiling as per above cut-out;
- Fix the base of the fixture to the ceiling with the connecting cable threading through the centre hole.
- Wire luminaire cable to Orluna certified driver, ensuring correct polarity (red to positive terminal [+]) and black to negative terminal [-]);
- With mains supply switched off, connect driver to mains supply (to avoid damaging the luminaire, do not hot-wire);
- Screw the main body of the Luminaire onto the fixed base

**ORLUNA<sup>®</sup>**

Installation Instructions