

ONE ORIGIN HIGH OUTPUT

Tilt & Rotate

ORLUNA®

Project Reference: _____

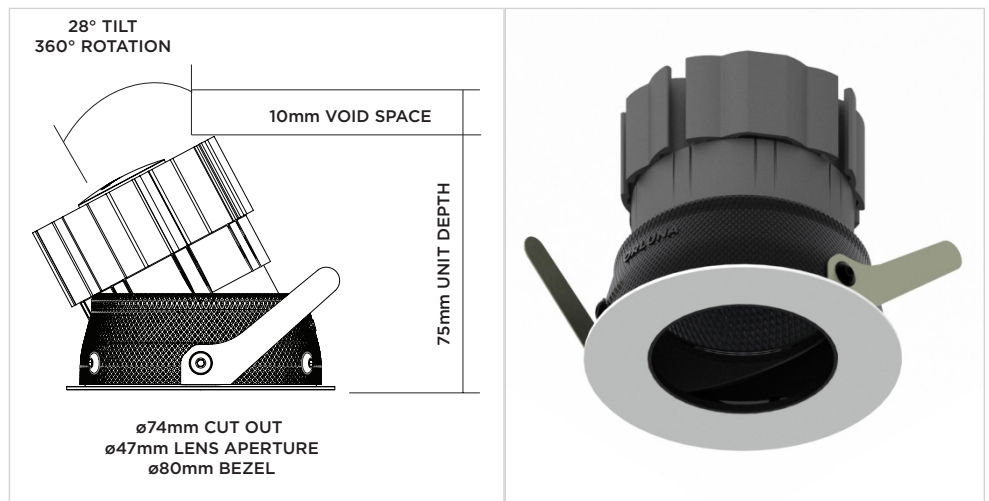
Product Reference: _____

Luminaire Details

Fitting Type	Adjustable Downlight
IP Rating	IP54 / IP65
Warranty	5 Years
Class	III
IP Zone	Zone 1
Standards	CE, BS EN 60598
Material	Aluminium ADC12
Cable type	2 Core 0.75mm ²
Cable Length	300mm
Bezel Temp	F Rated

Features & Benefits

- TRUE BEAM
- Full beam options
- Black baffle to the front for low glare
- 360° rotate and tilt behind the scenes



2700K	3000K
ORIGIN HIGH OUTPUT 85CRI	ORIGIN HIGH OUTPUT 85CRI

LIGHT VALUES	MEDIUM	WIDE	*All values are per light engine	MEDIUM	WIDE
Beam Width FWHM	33°	42°			33°
Initial Lumens*	1533	1533		1658	1658
Engine Lumens*	1290	1278		1403	1403
<small>*(Tc 85°C, +/-7%)</small>					
Engine Lm/W	111	110		121	121
Luminaire Cd	1944	1286		2070	1323
Binning SDCM (Hot)	2			2	
DUV	0.001			0.001	
CRI (typ)(R9)	85 (15)			85 (10)	
TM30 Rf Rg	Rf 85 Rg 95			Rf 83 Rg 95	
Lifetime (ambient)	L90 B5 50,000hrs			L90 B5 50,000hrs	

For full test data, see Luminaire Photometric Reports at orluna.com/downloads

LUMINAIRE POWER

Voltage	34v	34v
Drive Current	300mA	300mA
Circuit Power (typ)	11.6W	11.6W

DRIVER

Protocols	Mains Dim / DALI / 0-10V / Non-dim
Dim to Dark	0.1% Lux
Distance from product	20m (series wiring)
Emergency	Emergency packs available

Specification Code

Engine type	Bezel	Colour Temp	Driver	Beam Width	Bezel Colour	Baffle Colour	Options
HO	-ONE-	27	M	M	-W-	-BB-	F 54 E
		27 / 2700K 30 / 3000K 40 / 4000K	M / Mains Dim D / DALI O / 0-10v N / Non Dim X / No Driver	M / Medium W / Wide	W / White RAL 9010 D / White RAL 9003 E / White RAL 9016 B / Black RAL 9005 F / Antique Brass G / Polished Brass J / Antique Bronze K / Brushed Chrome L / Polished Chrome H / Antique Copper I / Polished Copper C / Other RAL	BB / Black WB / White RAL 9010 GB / Gold CB / Other RAL	F / Fire Rated 54 / IP54 65 / IP65 (Gaiter) P / Sea & Spa C / Constant Torsion T / Lockable Tilt & Rotate E / 3hr Emergency H / Honeycomb S / Spreader Lens N / Frosted Lens Z / LSZH Cable

ORLUNA LED Technologies
Unit C, Holly Industrial Park,
Ryan Way, Watford
Herts WD24 4YP

info@orluna.com

+44 (0) 1923 889 712

03/20/18