

MINI RECESSED LOPRO

ORLUNA®

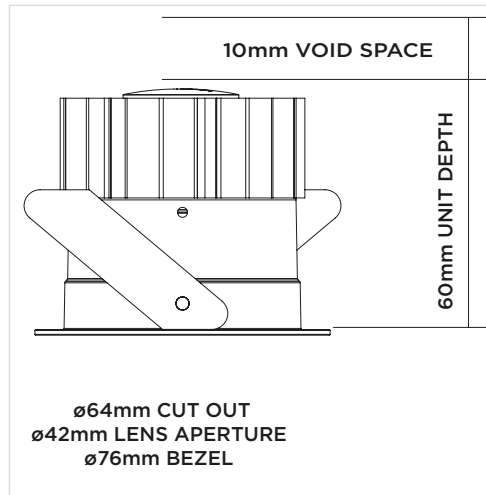
Fixed

Project Reference: _____

Product Reference: _____

Luminaire Details

Fitting Type	Fixed Downlight
IP Rating	IP44 / IP65
Warranty	5 Years
Class	III
IP Zone	Zone 1
Standards	CE, BS EN 60598
Material	Aluminium ADC12
Cable type	2 Core 0.75mm ²
Cable Length	300mm
Bezel Temp	F Rated



Features & Benefits

- 98CRI R9 99
- Ultra low profile
- Low glare

	2700K LOPRO 98CRI			3000K LOPRO 98CRI		
LIGHT VALUES	NARROW	MEDIUM	WIDE	NARROW	MEDIUM	WIDE
Beam Width FWHM	18°	20°	33°	18°	21°	33°
Initial Lumens*	1055	1055	1055	1057	1057	1057
Engine Lumens*	791	799	814	827	813	832
<small>*(Tc 85°C, +/-7%)</small>						
Engine Lm/W	68	69	70	71	70	72
Luminaire Cd	4214	3027	1130	4461	3202	1226
Binning SDCM (Hot)	2			2		
DUV	0.001			0.001		
CRI (typ)(R9)	98 (98)			98 (99)		
TM30 Rf Rg	Rf 94 Rg 100			Rf 94 Rg 101		
Lifetime (ambient)	L90 B5 50,000hrs			L90 B5 50,000hrs		

For full test data, see Luminaire Photometric Reports at orluna.com/downloads

LUMINAIRE POWER

Voltage	34v	34v
Drive Current	300mA	300mA
Circuit Power (typ)	11.6W	11.6W

DRIVER

Protocols	Mains Dim / DALI / 0-10V / Non-dim
Dim to Dark	0.1% Lux
Distance from product	20m (series wiring)
Emergency	Emergency packs available

Specification Code

Engine type	Bezel	Colour Temp	Driver	Beam Width	Bezel Colour	Baffle Colour	Options
LO	-MRF-	27	M	N	-W-	BB	F 44 E
		27 / 2700K 30 / 3000K 40 / 4000K	M / Mains Dim D / DALI O / 0-10v N / Non Dim X / No Driver	N / Narrow M / Medium W / Wide	W / White RAL 9010 D / White RAL 9003 E / White RAL 9016 B / Black RAL 9005 F / Antique Brass G / Polished Brass J / Antique Bronze K / Brushed Chrome L / Polished Chrome H / Antique Copper I / Polished Copper C / Other RAL	BB / Black WB / White RAL 9010 GB / Gold CB / Other RAL	F / Fire Rated 44 / IP44 65 / IP65 P / Sea & Spa E / 3hr Emergency Z / LSZH Cable