

LOOK WARM DIM

Tilt & Rotate

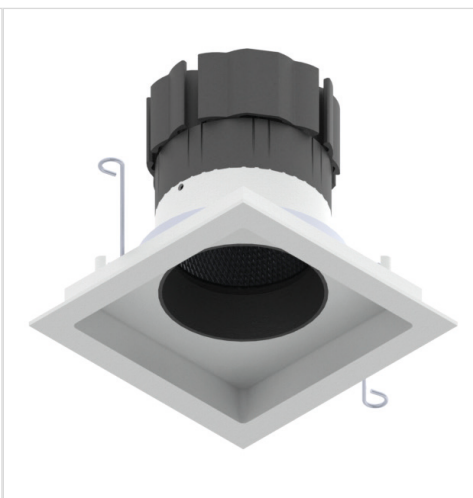
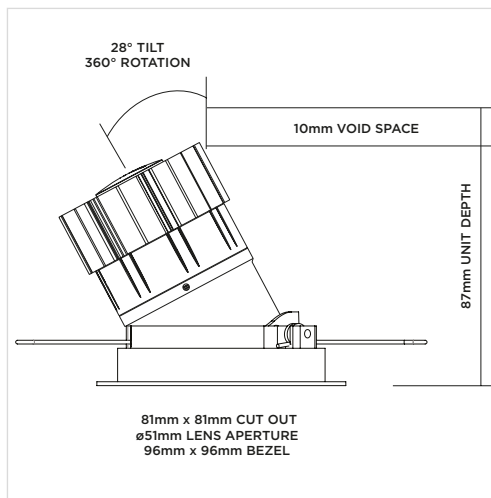
ORLUNA®

Project Reference: _____

Product Reference: _____

Luminaire Details

Fitting Type	Adjustable Downlight
IP Rating	IP54 / IP65
Warranty	5 Years
Class	III
IP Zone	Zone 1
Standards	CE, BS EN 60598
Material	Aluminium ADC12
Cable type	2 Core 0.75mm ²
Cable Length	300mm
Bezel Temp	F Rated



Features & Benefits

- Recessed square bezel face
- Twin baffles prevent 'halo' glare
- Warm dimming from 3000K to 1800K
- 98CRI R9:99
- Trubeam: A smooth, defined beam

1800K - 3000K

WARM DIM

LIGHT VALUES	MEDIUM	WIDE	FLOOD
Beam Width FWHM	32°	46°	50°
Initial Lumens*	1030	1030	1030
Engine Lumens*	882	873	876
*(Tc 85°C, +/-7%)			
Engine Lm/W	75	74	74
Luminaire Cd	1525	875	891
Binning SDCM (Hot)	3		
DUV	0.001		
CRI (typ)(R9)	98 (99)		
TM30 Rf Rg	Rf 94 Rg 101		
Lifetime (ambient)	L90 B5 50,000hrs		

For full test data, see Luminaire Photometric Reports at orluna.com/downloads

LUMINAIRE POWER

Voltage	34v
Drive Current	300mA
Circuit Power (typ)	11.8W

DRIVER

Protocols	Mains Dim / DALI / 0-10V / Non-dim
Dim to Dark	0.1% Lux
Distance from product	20m (series wiring)
Emergency	Emergency packs available

Specification Code

Engine type	Bezel	Colour Temp	Driver	Beam Width	Bezel Colour	Baffle Colour	Options
WD	DLR	WD	M	M	W	BB	F 54 E
			M / Mains Dim D / DALI O / 0-10v X / No Driver	M / Medium W / Wide F / Flood	W / White RAL 9010 D / White RAL 9003 E / White RAL 9016 B / Black RAL 9005 C / Other RAL	BB / Black 9005 WB / White 9010 DB / White 9003 EB / White 9016 FB / Antique Brass GB / Gold Anodised JB / Antique Bronze KB / Brushed Chrome LB / Polished Chrome HB / Antique Copper IB / Polished Copper CB / Other RAL	F / Fire Rated* 54 / IP54 65 / IP65 P / Sea & Spa T / Lockable Tilt & Rotate E / 3hr Emergency H / Honeycomb S / Spreader Lens N / Frosted Lens Z / LSZH Cable

ORLUNA LED Technologies
Unit C, Holly Industrial Park,
Ryan Way, Watford
Herts WD24 4YP

info@orluna.com

+44 (0) 1923 889 712

*NOTE: Fire Hood if used with constant torsion springs