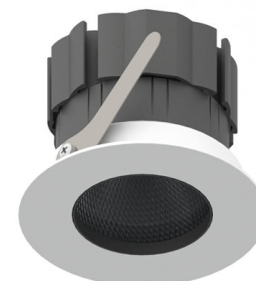
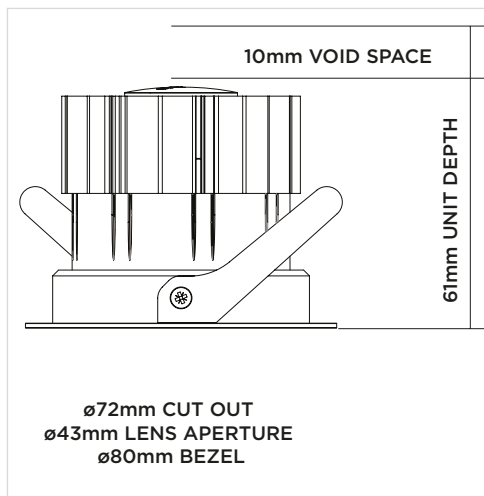


### Luminaire Details

Fitting Type	Fixed Downlight
IP Rating	IP54 / IP65
Warranty	5 Years
Class	III
IP Zone	Zone 1
Standards	CE, BS EN 60598
Material	Aluminium ADC12
Cable type	2 Core 0.75mm <sup>2</sup>
Cable Length	300mm
Bezel Temp	F Rated



### Features & Benefits

- 98CRI R9 99
- TRUE BEAM
- Shortened black baffle
- High LOR

### 2700K ORIGIN 98CRI

### 3000K ORIGIN 98CRI

LIGHT VALUES	SPOT	MEDIUM	FLOOD	SPOT	MEDIUM	FLOOD
Beam Width FWHM	10°	36°	50°	10°	37°	51°
Initial Lumens*	624	1077	1077	661	1156	1156
Engine Lumens*	437	931	924	455	954	978
<small>*(Tc 85°C, +/-7%)</small>						
Engine Lm/W	41	80	80	43	82	84
Luminaire Cd	3698	1335	879	371	1439	960
Binning SDCM (Hot)	2			2		
DUV	0.001			0.001		
CRI (typ)(R9)	<b>98 (98)</b>			<b>98 (99)</b>		
TM30 Rf Rg	Rf 94 Rg 100			Rf 94 Rg 101		
Lifetime (ambient)	L90 B5 50,000hrs			L90 B5 50,000hrs		

For full test data, see Luminaire Photometric Reports at [orluna.com/downloads](http://orluna.com/downloads)

### LUMINAIRE POWER

Voltage	16.8v	34v	16.8v	34v
Drive Current	500mA	300mA	500mA	300mA
Circuit Power (typ)	10.6W	11.6W	10.6W	11.6W

### DRIVER

Protocols	Mains Dim / DALI / 0-10V / Non-dim
Dim to Dark	0.1% Lux
Distance from product	20m (series wiring)
Emergency	Emergency packs available

### Specification Code

Engine type	Bezel	Colour Temp	Driver	Beam Width	Bezel Colour	Baffle Colour	Options
<b>OR</b>	<b>FI</b>	<b>27</b>	<b>M</b>	<b>S</b>	<b>W</b>	<b>BB</b>	<b>F 54 E</b>
		27 / 2700K 30 / 3000K 40 / 4000K	M / Mains Dim D / DALI O / 0-10v N / Non Dim X / No Driver	S / Spot M / Medium F / Flood	W / White RAL 9010 D / White RAL 9003 E / White RAL 9016 B / Black RAL 9005 F / Antique Brass G / Polished Brass J / Antique Bronze K / Brushed Chrome L / Polished Chrome H / Antique Copper I / Polished Copper C / Other RAL	BB / Black WB / White RAL 9010 GB / Gold CB / Other RAL	F / Fire Rated 54 / IP54 65 / IP65 P / Sea & Spa C / Constant Torsion E / 3hr Emergency H / Honeycomb S / Spreader Lens N / Frosted Lens Z / LSZH Cable