

# FADE QUAD50

Tilt & Rotate

# ORLUNA®

Project Reference: \_\_\_\_\_

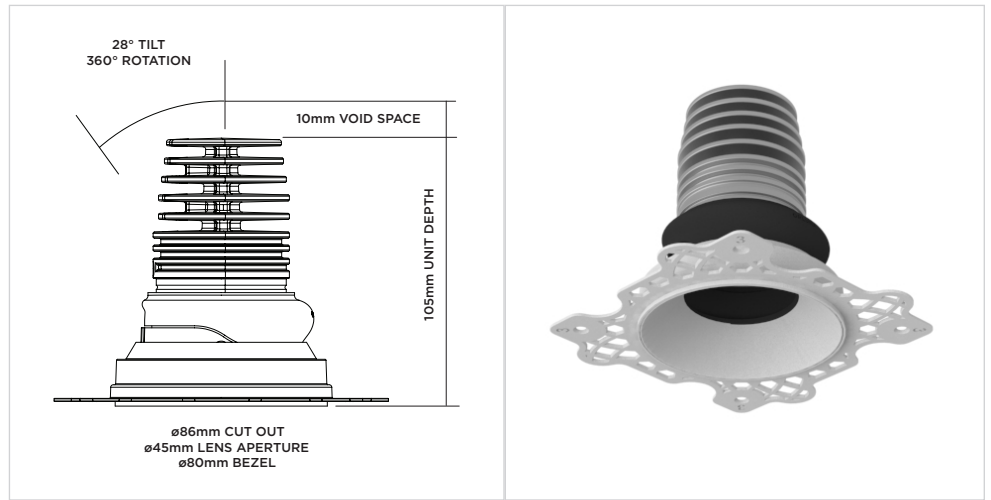
Product Reference: \_\_\_\_\_

### Luminaire Details

Fitting Type	Directional Downlight
IP Rating	IP54 / IP65
Warranty	5 Years
Class	III
IP Zone	Zone 1
Standards	CE, BS EN 60598
Material	Aluminium ADC12
Cable type	2 Core 0.75mm <sup>2</sup>
Cable Length	300mm
Bezel Temp	F Rated

### Features & Benefits

- 85CRI
- Low glare
- Plaster-in
- 360° rotate and tilt behind the scenes



LIGHT VALUES	2700K QUAD50			2938K QUAD50		
	MEDIUM	WIDE	FLOOD	MEDIUM	WIDE	FLOOD
Beam Width FWHM	20°	30°	46°	20°	30°	46°
Initial Lumens*	812	812	812	887	887	887
Engine Lumens*	658	706	719	713	775	785
<small>*(Tc 85°C, +/-7%)</small>						
Engine Lm/W	63	68	69	69	75	75
Luminaire Cd	1999	1007	650	2073	1178	785
Binning SDCM (Hot)	2			2		
DUV	0.001			0.001		
CRI (typ)(R9)	<b>82 (8)</b>			<b>82 (8)</b>		
TM30 Rf Rg	Rf 83 Rg 95			Rf 83 Rg 95		
Lifetime (ambient)	L90 B5 50,000hrs			L90 B5 50,000hrs		

For full test data, see Luminaire Photometric Reports at [orluna.com/downloads](http://orluna.com/downloads)

LUMINAIRE POWER	2700K	2938K
Voltage	11.2V (11.8V) 12.8V	11.2V (11.8V) 12.8V
Drive Current	700mA	700mA
Circuit Power (typ)	10.4	10.4

### DRIVER

Protocols	Mains Dim / DALI / 0-10V / Non-dim
Dim to Dark	0.1% Lux
Distance from product	20m (series wiring)
Emergency	Emergency packs available

### Specification Code

Engine type	Bezel	Colour Temp	Driver	Beam Width	Bezel Colour	Baffle Colour	Options
<b>5</b>	<b>FD</b>	<b>27</b>	<b>M</b>	<b>20</b>	<b>W</b>	<b>BB</b>	<b>F 54 E</b>
		27 / 2700K 29 / 2938K	M / Mains Dim D / DALI O / 0-10v N / Non Dim X / No Driver	20 / Medium 30 / Wide 46 / Flood	W / White 9010 D / White 9003 E / White 9016 B / Black 9005 F / Antique Brass G / Polished Brass J / Antique Bronze K / Brushed Chrome L / Polished Chrome H / Antique Copper I / Polished Copper C / Other RAL	BB / Black 9005 WB / White 9010 DB / White 9003 EB / White 9016 FB / Antique Brass GB / Gold Anodised JB / Antique Bronze KB / Brushed Chrome LB / Polished Chrome HB / Antique Copper IB / Polished Copper MB / Polished Brass CB / Other RAL	F / Fire Rated L / Low Profile <b>54 / IP54</b> 65 / IP65 (Gaiter) P / Sea & Spa T / Lockable Tilt & Rotate <b>E / 3hr Emergency</b> H / Honeycomb N / Frosted Lens Z / LSZH Cable

ORLUNA LED Technologies  
Unit C, Holly Industrial Park,  
Ryan Way, Watford  
Herts WD24 4YP

info@orluna.com

+44 (0) 1923 889 712