

FADE ORIGIN HIGH OUTPUT

Fixed

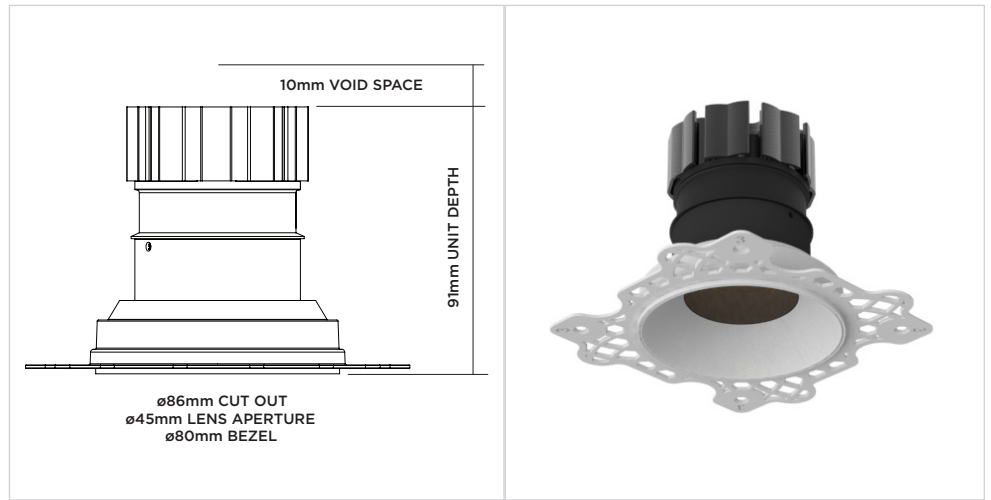
ORLUNA®

Project Reference: _____

Product Reference: _____

Luminaire Details

Fitting Type	Fixed
IP Rating	IP54 / IP65
Warranty	5 Years
Class	III
IP Zone	Zone 1
Standards	CE, BS EN 60598
Material	Aluminium ADC12
Cable type	2 Core 0.75mm ²
Cable Length	300mm
Bezel Temp	F Rated



Features & Benefits

- TRUE BEAM
- Plaster-in
- Low glare
- Dedicated fixed

2700K ORIGIN HIGH OUTPUT 85CRI

3000K ORIGIN HIGH OUTPUT 85CRI

LIGHT VALUES	MEDIUM	WIDE	*All values are per light engine	MEDIUM	WIDE	
Beam Width FWHM	33°	43°			33°	43°
Initial Lumens*	1533	1533			1658	1658
Engine Lumens*	1290	1278			1403	1403
<small>*(Tc 85°C, +/-7%)</small>						
Engine Lm/W	111	110			121	121
Luminaire Cd	1833	1196			1911	1269
Binning SDCM (Hot)	2				2	
DUV	0.001				0.001	
CRI (typ)(R9)	85 (15)				85 (10)	
TM30 Rf Rg	Rf 85 Rg 95			Rf 83 Rg 95		
Lifetime (ambient)	L90 B5 50,000hrs			L90 B5 50,000hrs		

For full test data, see Luminaire Photometric Reports at orluna.com/downloads

LUMINAIRE POWER

Voltage	34v	34v
Drive Current	300mA	300mA
Circuit Power (typ)	11.6W	11.6W

DRIVER

Protocols	Mains Dim / DALI / 0-10V / Non-dim
Dim to Dark	0.1% Lux
Distance from product	20m (series wiring)
Emergency	Emergency packs available

Specification Code

Engine type	Bezel	Colour Temp	Driver	Beam Width	Bezel Colour	Baffle Colour	Options
HO	- FDX -	27	M	M	- W	- BB	- F 54 E
		27 / 2700K 30 / 3000K 40 / 4000K	M / Mains Dim D / DALI O / 0-10v N / Non Dim X / No Driver	M / Medium W / Wide	W / White 9010 D / White 9003 E / White 9016 B / Black 9005 F / Antique Brass G / Polished Brass J / Antique Bronze K / Brushed Chrome L / Polished Chrome H / Antique Copper I / Polished Copper C / Other RAL	BB / Black 9005 WB / White 9010 DB / White 9003 EB / White 9016 FB / Antique Brass GB / Gold Anodised JB / Antique Bronze KB / Brushed Chrome LB / Polished Chrome HB / Antique Copper IB / Polished Copper CB / Other RAL	F / Fire Rated 54 / IP54 65 / IP65 (Gaiter) P / Sea & Spa T / Lockable Tilt & Rotate E / 3hr Emergency H / Honeycomb S / Spreader Lens N / Frosted Lens Z / LSZH Cable

ORLUNA LED Technologies
Unit C, Holly Industrial Park,
Ryan Way, Watford
Herts WD24 4YP

info@orluna.com

+44 (0) 1923 889 712