

# DINO WARM DIM

## Fixed

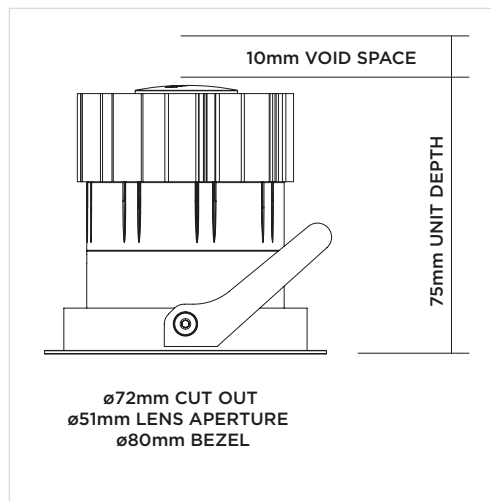
# ORLUNA®

Project Reference: \_\_\_\_\_

Product Reference: \_\_\_\_\_

### Luminaire Details

Fitting Type	Fixed Downlight
IP Rating	IP54 / IP65
Warranty	5 Years
Class	III
IP Zone	Zone 1
Standards	CE, BS EN 60598
Material	Aluminium ADC12
Cable type	2 Core 0.75mm <sup>2</sup>
Cable Length	300mm
Bezel Temp	F Rated



### Features & Benefits

- Traditional miniature downlight
- Black baffle prevents 'halo' glare
- Warm dimming from 3000K to 1800K
- 98CRI R9:99
- Trubeam: A smooth, defined beam

### 1800K - 3000K WARM DIM

LIGHT VALUES	MEDIUM	WIDE	FLOOD
<b>Beam Width FWHM</b>	<b>32°</b>	<b>46°</b>	<b>50°</b>
Initial Lumens*	1030	1030	1030
Engine Lumens*	882	873	876
<small>*(Tc 85°C, +/-7%)</small>			
Engine Lm/W	75	74	74
Luminaire Cd	1525	875	891
Binning SDCM (Hot)	3		
DUV	0.001		
CRI (typ)(R9)	<b>98 (99)</b>		
TM30 Rf Rg	Rf 94 Rg 101		
Lifetime (ambient)	L90 B5 50,000hrs		

For full test data, see Luminaire Photometric Reports at [orluna.com/downloads](http://orluna.com/downloads)

### LUMINAIRE POWER

Voltage	34v
Drive Current	300mA
Circuit Power (typ)	11.8W

### DRIVER

Protocols	Mains Dim / DALI / 0-10V / Non-dim
Dim to Dark	0.1% Lux
Distance from product	20m (series wiring)
Emergency	Emergency packs available

### Specification Code

Engine type	Bezel	Colour Temp	Driver	Beam Width	Bezel Colour	Baffle Colour	Options
<b>WD</b>	<b>DIF</b>	<b>WD</b>	<b>M</b>	<b>M</b>	<b>W</b>	<b>BB</b>	<b>F 54 E</b>
			M / Mains Dim D / DALI O / 0-10v X / No Driver	M / Medium W / Wide F / Flood	W / White 9010 D / White 9003 E / White 9016 B / Black 9005 F / Antique Brass G / Polished Brass J / Antique Bronze K / Brushed Chrome L / Polished Chrome H / Antique Copper I / Polished Copper C / Other RAL	BB / Black 9005 WB / White 9010 DB / White 9003 EB / White 9016 FB / Antique Brass GB / Gold Anodised JB / Antique Bronze KB / Brushed Chrome LB / Polished Chrome HB / Antique Copper IB / Polished Copper MB / Polished Brass CB / Other RAL	F / Fire Rated* 54 / IP54 65 / IP65 P / Sea & Spa E / 3hr Emergency J / Jigsaw H / Honeycomb S / Spreader Lens N / Frosted Lens Z / LSZH Cable <small>*NOTE: Fire Hood if used with constant torsion springs</small>

ORLUNA LED Technologies  
Unit C, Holly Industrial Park,  
Ryan Way, Watford  
Herts WD24 4YP

info@orluna.com

+44 (0) 1923 889 712

02/14/19