

# DINO LOPRO

Fixed

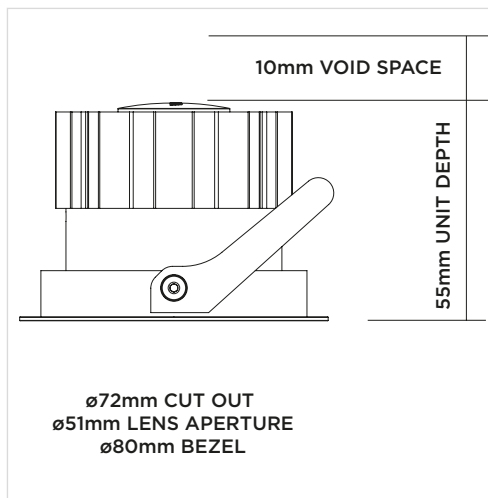
# ORLUNA®

Project Reference: \_\_\_\_\_

Product Reference: \_\_\_\_\_

### Luminaire Details

Fitting Type	Fixed Downlight
IP Rating	IP54
Warranty	5 Years
Class	III
IP Zone	Zone 1
Standards	CE, BS EN 60598
Material	Aluminium ADC12
Cable type	2 Core 0.75mm <sup>2</sup>
Cable Length	300mm
Bezel Temp	F Rated



### Features & Benefits

- 98CRI R9 99
- Ultra low profile
- Low glare
- Change accessories from the front

	2700K LOPRO 98CRI			3000K LOPRO 98CRI		
LIGHT VALUES	NARROW	MEDIUM	WIDE	NARROW	MEDIUM	WIDE
<b>Beam Width FWHM</b>	<b>18°</b>	<b>21°</b>	<b>35°</b>	<b>18°</b>	<b>21°</b>	<b>35°</b>
Initial Lumens*	1055	1055	1055	1057	1057	1057
Engine Lumens*	791	799	814	827	813	832
<small>*(Tc 85°C, +/-7%)</small>						
Engine Lm/W	68	69	70	71	70	72
Luminaire Cd	3992	3170	1266	4027	3307	1296
Binning SDCM (Hot)	2			2		
DUV	0.001			0.001		
CRI (typ)(R9)	<b>98 (98)</b>			<b>98 (99)</b>		
TM30 Rf Rg	Rf 94 Rg 100			Rf 94 Rg 101		
Lifetime (ambient)	L90 B5 50,000hrs			L90 B5 50,000hrs		

For full test data, see Luminaire Photometric Reports at [orluna.com/downloads](http://orluna.com/downloads)

### LUMINAIRE POWER

Voltage	34v	34v
Drive Current	300mA	300mA
Circuit Power (typ)	11.6W	11.6W

### DRIVER

Protocols	Mains Dim / DALI / 0-10V / Non-dim
Dim to Dark	0.1% Lux
Distance from product	20m (series wiring)
Emergency	Emergency packs available

### Specification Code

Engine type	Bezel	Colour Temp	Driver	Beam Width	Bezel Colour	Baffle Colour	Options
<b>LO</b>	<b>- DIF -</b>	<b>27</b>	<b>M</b>	<b>N</b>	<b>- W -</b>	<b>BB</b>	<b>F 54 E</b>
		27 / 2700K 30 / 3000K 40 / 4000K	M / Mains Dim D / DALI O / 0-10v N / Non Dim X / No Driver	N / Narrow M / Medium W / Wide	W / White RAL 9010 D / White RAL 9003 E / White RAL 9016 B / Black RAL 9005 F / Antique Brass G / Polished Brass J / Antique Bronze K / Brushed Chrome L / Polished Chrome H / Antique Copper I / Polished Copper C / Other RAL	BB / Black WB / White RAL 9010 GB / Gold CB / Other RAL	F / Fire Rated 54 / IP54 65 / IP65 P / Sea & Spa C / Constant Torsion Springs E / 3hr Emergency H / Honeycomb S / Spreader Lens N / Frosted Lens Z / LSZH Cable

ORLUNA LED Technologies  
Unit C, Holly Industrial Park,  
Ryan Way, Watford  
Herts WD24 4YP

info@orluna.com

+44 (0) 1923 889 712

09/14/17