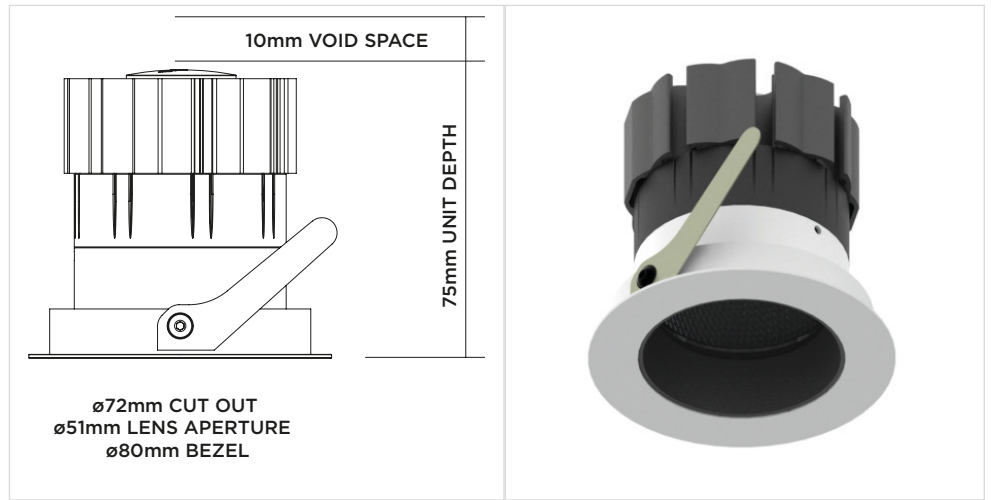


Luminaire Details

Fitting Type	Fixed Downlight
IP Rating	IP54 / IP65
Warranty	5 Years
Class	III
IP Zone	Zone 1
Standards	CE, BS EN 60598
Material	Aluminium ADC12
Cable type	2 Core 0.75mm ²
Cable Length	300mm
Bezel Temp	F Rated



Features & Benefits

- 98CRI R9 99
- TRUE BEAM
- Full beam options
- Low glare
- Change accessories from the front

2700K

ORIGIN 98CRI

3000K

ORIGIN 98CRI

LIGHT VALUES	2700K				3000K			
	SPOT	MEDIUM	WIDE	FLOOD	SPOT	MEDIUM	WIDE	FLOOD
Beam Width FWHM	10°	28°	40°	45°	10°	28°	40°	45°
Initial Lumens*	624	1077	1077	1077	661	1156	1156	1156
Engine Lumens*	437	931	931	924	455	954	984	978
<small>*(Tc 85°C, +/-7%)</small>								
Engine Lm/W	41	80	80	80	43	82	85	84
Luminaire Cd	4854	1830	1093	990	5063	1821	1140	1026
Binning SDCM (Hot)	2				2			
DUV	0.001				0.001			
CRI (typ)(R9)	98 (98)				98 (99)			
TM30 Rf Rg	Rf 94 Rg 100				Rf 94 Rg 101			
Lifetime (ambient)	L90 B5 50,000hrs				L90 B5 50,000hrs			

For full test data, see Luminaire Photometric Reports at orluna.com/downloads

LUMINAIRE POWER

	2700K		3000K	
Voltage	16.8v	34v	16.8v	34v
Drive Current	500mA	300mA	500mA	300mA
Circuit Power (typ)	10.6W	11.6W	10.6W	11.6W

DRIVER

Protocols	Mains Dim / DALI / 0-10V / Non-dim
Dim to Dark	0.1% Lux
Distance from product	20m (series wiring)
Emergency	Emergency packs available

Specification Code

Engine type	Bezel	Colour Temp	Driver	Beam Width	Bezel Colour	Baffle Colour	Options
OR	DIF	27	M	S	W	BB	F 54 E
		27 / 2700K 30 / 3000K 40 / 4000K	M / Mains Dim D / DALI O / 0-10v N / Non Dim X / No Driver	S / Spot M / Medium W / Wide F / Flood	W / White RAL 9010 D / White RAL 9003 E / White RAL 9016 B / Black RAL 9005 F / Antique Brass G / Polished Brass J / Antique Bronze K / Brushed Chrome L / Polished Chrome H / Antique Copper I / Polished Copper C / Other RAL	BB / Black WB / White RAL 9010 GB / Gold CB / Other RAL	F / Fire Rated 54 / IP54 P / Sea & Spa 65 / IP65 C / Constant Torsion Springs E / 3hr Emergency H / Honeycomb S / Spreader Lens N / Frosted Lens Z / LSZH Cable