

# CURVE ORIGIN HIGH OUTPUT

## Recessed Fixed

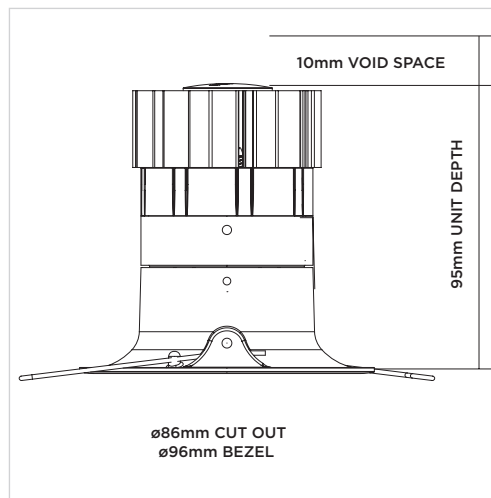
# ORLUNA®

Project Reference: \_\_\_\_\_

Product Reference: \_\_\_\_\_

### Luminaire Details

Fitting Type	Fixed Downlight
IP Rating	IP44 / IP65
Warranty	5 Years
Class	III
IP Zone	Zone 1
Standards	CE, BS EN 60598
Material	Aluminium ADC12
Cable type	2 Core 0.75mm <sup>2</sup>
Cable Length	300mm
Bezel Temp	F Rated



### Features & Benefits

- TRUE BEAM
- Full beam options
- Low glare

### 2700K

#### ORIGIN HIGH OUTPUT 85CRI

### 3000K

#### ORIGIN HIGH OUTPUT 85CRI

LIGHT VALUES	MEDIUM	WIDE	* All values are per light engine	MEDIUM	WIDE
<b>Beam Width FWHM</b>	<b>35°</b>	<b>49°</b>			<b>35°</b>
Initial Lumens*	1533	1533		1658	1658
Engine Lumens*	1290	1278		1403	1403
<small>*(Tc 85°C, +/-7%)</small>					
Engine Lm/W	111	110		121	121
Luminaire Cd	1978	1348		2106	1425
Binning SDCM (Hot)	2			2	
DUV	0.001			0.001	
CRI (typ)(R9)	<b>85 (15)</b>			<b>85 (10)</b>	
TM30 Rf Rg	Rf 85 Rg 95			Rf 83 Rg 95	
Lifetime (ambient)	L90 B5 50,000hrs			L90 B5 50,000hrs	

For full test data, see Luminaire Photometric Reports at [orluna.com/downloads](http://orluna.com/downloads)

### LUMINAIRE POWER

Voltage	34v	34v
Drive Current	300mA	300mA
Circuit Power (typ)	11.6W	11.6W

### DRIVER

Protocols	Mains Dim / DALI / 0-10V / Non-dim
Dim to Dark	0.1% Lux
Distance from product	20m (series wiring)
Emergency	Emergency packs available

### Specification Code

Engine type	Bezel	Colour Temp	Driver	Beam Width	Bezel Colour	Baffle Colour	Options
<b>HO</b>	<b>-CVRF-</b>	<b>27</b>	<b>M</b>	<b>M</b>	<b>-W-</b>	<b>BB</b>	<b>F 44 E</b>
		27 / 2700K 30 / 3000K 40 / 4000K	M / Mains Dim D / DALI O / 0-10v N / Non Dim X / No Driver	M / Medium W / Wide	W / White RAL 9010 D / White RAL 9003 E / White RAL 9016 B / Black RAL 9005 C / Other RAL	BB / Black WB / White RAL 9010 GB / Gold CB / Other RAL	F / Fire Rated 44 / IP44 65 / IP65 P / Sea & Spa J / Jigsaw E / 3hr EMERGENCY Z / LSZH Cable