

CLARIN WARM DIM

Fixed

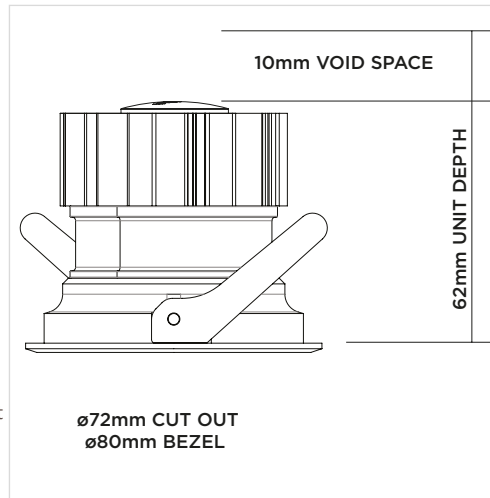
ORLUNA®

Project Reference: _____

Product Reference: _____

Luminaire Details

Fitting Type	Fixed Downlight
IP Rating	IP54 / IP65
Warranty	5 Years
Class	III
IP Zone	Zone 1
Standards	CE, BS EN 60598
Material	Aluminium ADC12
Cable type	2 Core 0.75mm ²
Cable Length	300mm
Bezel Temp	F Rated



Features & Benefits

- Clarin maximises light output
- Crisp architectural style with soft effect
- Warm dimming from 3000K to 1800K
- 98CRI R9:99
- Trubeam: A smooth, defined beam

1800K - 3000K WARM DIM

LIGHT VALUES	MEDIUM	WIDE	FLOOD
Beam Width FWHM	32°	49°	52°
Initial Lumens*	1030	1030	1030
Engine Lumens*	882	873	876
<small>*(Tc 85°C, +/-7%)</small>			
Engine Lm/W	75	74	74
Luminaire Cd	1575	901	917
Binning SDCM (Hot)	3		
DUV	0.001		
CRI (typ)(R9)	98 (99)		
TM30 Rf Rg	Rf 94 Rg 101		
Lifetime (ambient)	L90 B5 50,000hrs		

For full test data, see Luminaire Photometric Reports at orluna.com/downloads

LUMINAIRE POWER

Voltage	34v
Drive Current	300mA
Circuit Power (typ)	11.8W

DRIVER

Protocols	Mains Dim / DALI / 0-10V / Non-dim
Dim to Dark	0.1% Lux
Distance from product	20m (series wiring)
Emergency	Emergency packs available

Specification Code

Engine type	Bezel	Colour Temp	Driver	Beam Width	Bezel Colour	IP Rating
WD	CN	WD	M	M	W	F 54 E
		<small>WD / Warm Dim</small>	<small>M / Mains Dim</small>	<small>M / Medium</small>	<small>W / White RAL 9010</small>	<small>F / Fire Rated</small>
			<small>D / DALI</small>	<small>W / Wide</small>	<small>D / White RAL 9003</small>	<small>54 / IP54</small>
			<small>O / 0-10v</small>	<small>F / Flood</small>	<small>E / White RAL 9016</small>	<small>65 / IP65</small>
			<small>X / No Driver</small>		<small>B / Black RAL 9005</small>	<small>P / Sea & Spa</small>
					<small>F / Antique Brass</small>	<small>E / Emergency</small>
					<small>G / Polished Brass</small>	<small>Z / LSZH Cable</small>
					<small>J / Antique Bronze</small>	
					<small>K / Brushed Chrome</small>	
					<small>L / Polished Chrome</small>	
					<small>H / Antique Copper</small>	
					<small>I / Polished Copper</small>	
					<small>C / Other RAL</small>	

ORLUNA LED Technologies
Unit C, Holly Industrial Park,
Ryan Way, Watford
Herts WD24 4YP

info@orluna.com

+44 (0) 1923 889 712

02/14/19