

CLARIN ORIGIN HIGH OUTPUT

Fixed

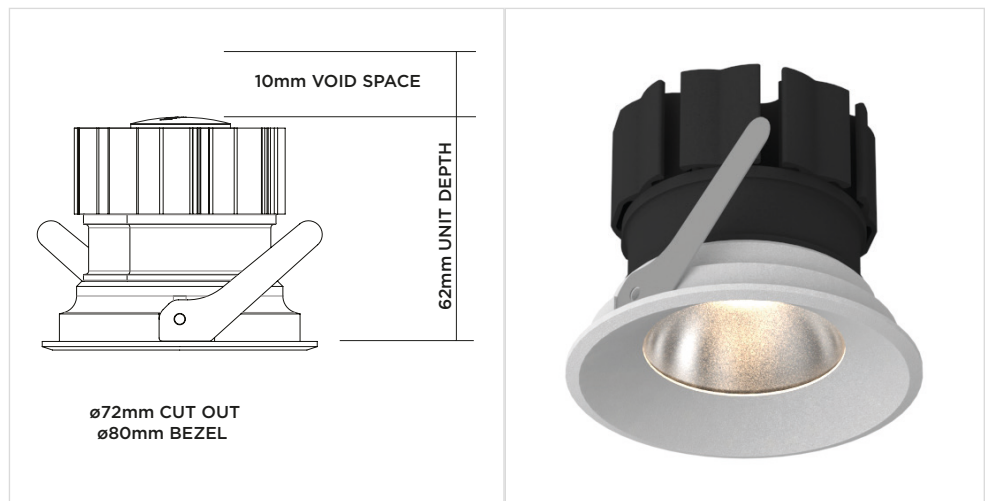
ORLUNA®

Project Reference: _____

Product Reference: _____

Luminaire Details

Fitting Type	Fixed Downlight
IP Rating	IP44 / IP65
Warranty	5 Years
Class	III
IP Zone	Zone 1
Standards	CE, BS EN 60598
Material	Aluminium ADC12
Cable type	2 Core 0.75mm ²
Cable Length	300mm
Bezel Temp	F Rated



Features & Benefits

- TRUE BEAM
- Full beam options
- High LOR

2700K

ORIGIN HIGH OUTPUT 85CRI

3000K

ORIGIN HIGH OUTPUT 85CRI

LIGHT VALUES	MEDIUM	WIDE	MEDIUM	WIDE
Beam Width FWHM	35°	50°	35°	50°
Initial Lumens*	1533	1533	1658	1658
Engine Lumens*	1290	1278	1403	1403
<small>*(Tc 85°C, +/-7%)</small>				
Engine Lm/W	111	110	121	121
Luminaire Cd	1900	1260	2115	1377
Binning SDCM (Hot)	2		2	
DUV	0.001		0.001	
CRI (typ)(R9)	85 (15)		85 (10)	
TM30 Rf Rg	Rf 85 Rg 95		Rf 83 Rg 95	
Lifetime (ambient)	L90 B5 50,000hrs		L90 B5 50,000hrs	

For full test data, see Luminaire Photometric Reports at orluna.com/downloads

LUMINAIRE POWER

Voltage	34v	34v
Drive Current	300mA	300mA
Circuit Power (typ)	11.6W	11.6W

DRIVER

Protocols	Mains Dim / DALI / 0-10V / Non-dim
Dim to Dark	0.1% Lux
Distance from product	20m (series wiring)
Emergency	Emergency packs available

Specification Code

Engine type	Bezel	Colour Temp	Driver	Beam Width	Bezel Colour	IP Rating
HO	CN	27	M	M	W	F 44 E
		27 / 2700K 30 / 3000K 40 / 4000K	M / Mains Dim D / DALI O / 0-10v N / Non Dim X / No Driver	M / Medium W / Wide	W / White RAL 9010 D / White RAL 9003 E / White RAL 9016 B / Black RAL 9005 F / Antique Brass G / Polished Brass J / Antique Bronze K / Brushed Chrome L / Polished Chrome H / Antique Copper I / Polished Copper C / Other RAL	F / Fire Rated 44 / IP44 65 / IP65 P / Sea & Spa E / Emergency Z / LSZH Cable

ORLUNA LED Technologies
Unit C, Holly Industrial Park,
Ryan Way, Watford
Herts WD24 4YP

info@orluna.com

+44 (0) 1923 889 712

03/27/18