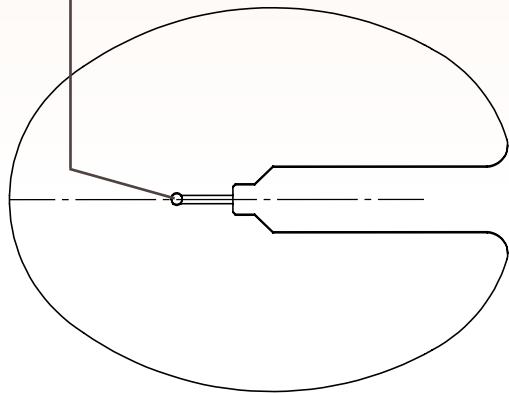


# FirePlate™

## Installation Instructions

□ STEP 1

Identify location hole on top surface and position **FirePlate™** with peak facing towards ceiling

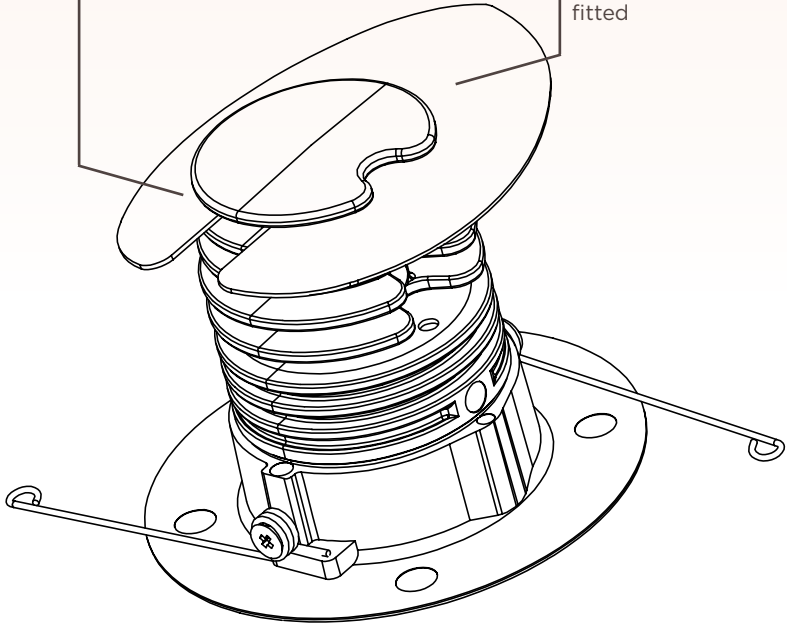


□ STEP 2

With peak facing towards ceiling and away from bezel, slide **FirePlate™** between 1st and 2nd fins of heatsink

□ STEP 3

Push to secure **FirePlate™** and ensure that location hole is hidden by top fin. Your **FirePlate™** is now correctly fitted



# FirePlate™

## Installation Instructions

Fire-rated ceilings work by preventing the spread of fire from one room to the next for a period of time, but this can be rendered ineffective when holes are cut into the ceiling for downlights. Orluna's patented FirePlate™ technology works by acting to seal the cutout hole in case of fire.

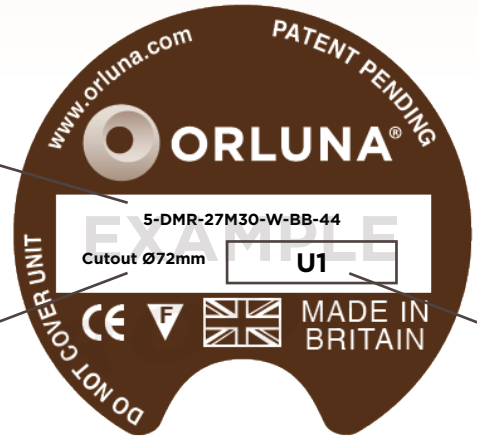
When correctly installed into a 60 minute fire-rated ceiling, your Orluna FirePlate™ will serve to protect the ceiling integrity and help prevent further spread of fire. The FirePlate™ provides clear benefits over other common methods such as intumescent tape and fire hoods, whilst also being easier to install for electricians.

All Orluna FirePlates™ are independently certified for use with 60 minute fire-rated ceilings.

### PRODUCT CODE

Using this, you can identify exactly which luminaire you are installing, including the engine, bezel, colour temperature, beam angle, driver, bezel colour, baffle colour, and any bespoke options, which include:

- Fire rating using an Orluna patented FirePlate
- IP rating (IP44 as standard, IP65 available)
- Low Profile (reduces void height requirement by 14mm\*)



CEILING CUTOUT DIMENSION

LED REEL NUMBER (Batch Identification)

\* Note that the void height requirement is for all non-dimmable and mains dimmable luminaires. DALI, 0-10V and emergency luminaires may require additional void height.