

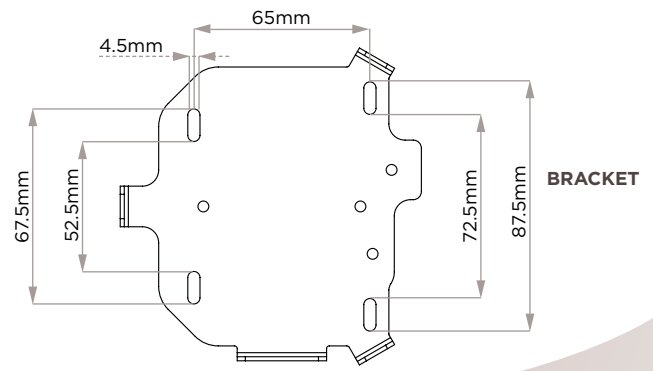
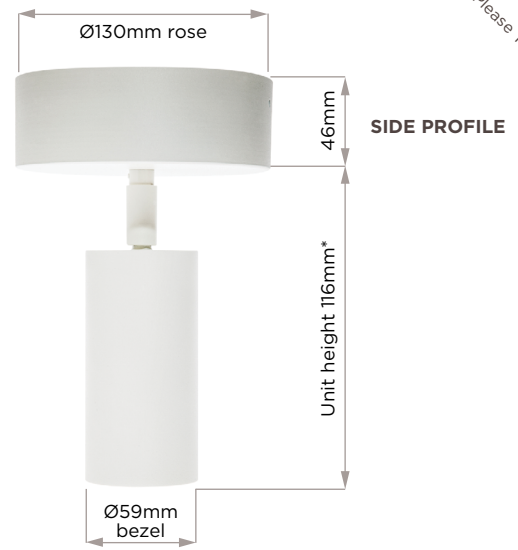
AIR Integrated

Installation Instructions

BEZEL	ROSE SIZE	FIXING HOLE SPACING
AI AIR Integrated	Ø130mm	See Bracket Diagram

5 STEPS TO INSTALL

1. Detach the bracket from the Air Integrated with the allen keys provided by carefully removing the 3 bolts;
2. Wire the luminaire cable into the Ornluna certified driver affixed to the bracket, taking care to ensure polarity. Red should be connected to the positive terminal (+) and black to the negative terminal (-);
3. With the mains supply switched off, connect the driver to the mains supply;
4. Affix the bracket to the ceiling using the 4 fixing holes as seen on the Bracket diagram across;
5. Slide the Air Integrated onto the bracket and reaffix using the previously removed bolts.



AIR Integrated

Installation Instructions

Dear Contractor

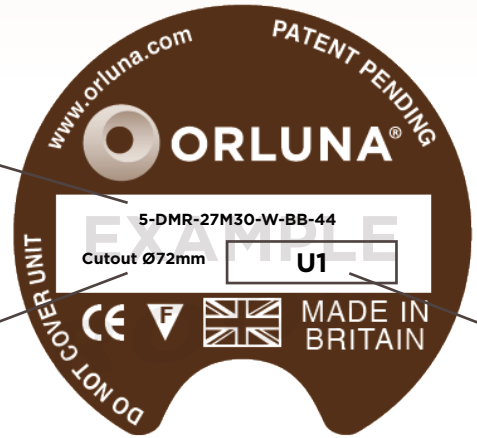
Thank you for purchasing Orluna luminaires. We've engaged our expert focus to make this specification grade product fully contractor-friendly. On the reverse of this page, you'll find cutout sizes and installation instructions.

We also guarantee dimming compatibility on all major protocols and control systems. If you have any questions, please contact our dimming specialist Daniel Mahdavi on +44(0)1923 889 714.

PRODUCT CODE

Using this, you can identify exactly which luminaire you are installing, including the engine, bezel, colour temperature, beam angle, driver, bezel colour, baffle colour, and any bespoke options, which include:

- Fire rating using an Orluna patented FirePlate
- IP rating (IP44 as standard, IP65 available)
- Low Profile (reduces void height requirement by 14mm*)



CEILING CUTOUT DIMENSION

LED REEL NUMBER (Batch Identification)

* Note that the void height requirement is for all non-dimmable and mains dimmable luminaires. DALI, 0-10V and emergency luminaires may require additional void height.