

DF, DR, DMF, DMR, DMSF, DMSR

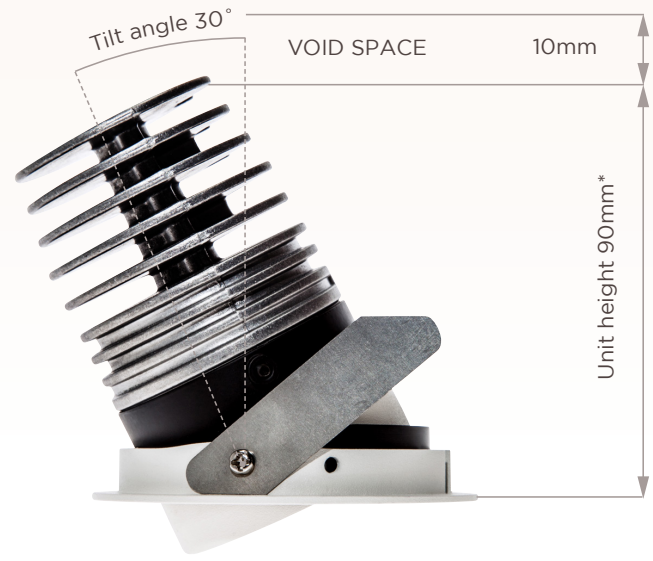
Installation Instructions

BEZEL	BEZEL SIZE	CUT OUT
DF Detail Fixed	Ø96mm	Ø72mm
DR Detail Tilt & Rotate	Ø96mm	Ø72mm
DMF Detail Mini Fixed	Ø80mm	Ø72mm
DMR Detail Mini Tilt & Rotate	Ø80mm	Ø72mm
DMSF Detail Mini Square Fixed	80x80mm	Ø72mm
DMSR Detail Mini Square Tilt & Rotate	80x80mm	Ø72mm

3 STEPS TO INSTALL

1. Cut a hole in your ceiling as per the “cut out” size above (also found on the label on the back of your luminaire - if unsure, please refer to our website or contact the Orluna team on our helpline below);
2. Wire the luminaire cable into the Orluna certified driver, taking care to ensure polarity. Red should be connected to the positive terminal (+) and black to the negative terminal (-);
3. Connect the driver to the mains supply, paying close attention to our “hot wire” warning.

Note: For optimum performance, Ø250mm should be left free of insulation around the fitting.



***Low void option available to give a unit height of 76mm. Ø72mm cut out.**

DF, DR, DMF, DMR, DMSF, DMSR

Installation Instructions

Dear Contractor

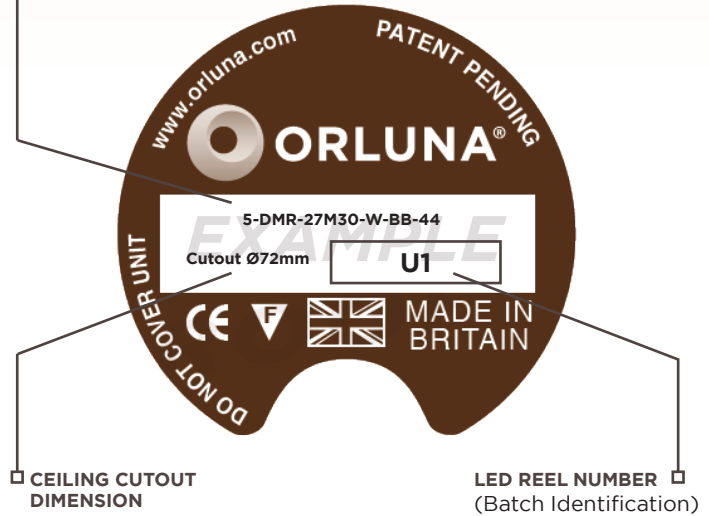
Thank you for purchasing Orluna luminaires. We've engaged our expert focus to make this specification grade product fully contractor-friendly. On the reverse of this page, you'll find cutout sizes and installation instructions.

We also guarantee dimming compatibility on all major protocols and control systems. If you have any questions, please contact our dimming specialist Daniel Mahdavi on +44(0)1923 889 714.

PRODUCT CODE

Using this, you can identify exactly which luminaire you are installing, including the engine, bezel, colour temperature, beam angle, driver, bezel colour, baffle colour, and any bespoke options, which include:

- Fire rating using an Orluna patented FirePlate
- IP rating (IP44 as standard, IP65 available)
- Low Profile (reduces void height requirement by 14mm*)



CEILING CUTOUT DIMENSION

LED REEL NUMBER (Batch Identification)

* Note that the void height requirement is for all non-dimmable and mains dimmable luminaires. DALI, 0-10V and emergency luminaires may require additional void height.